

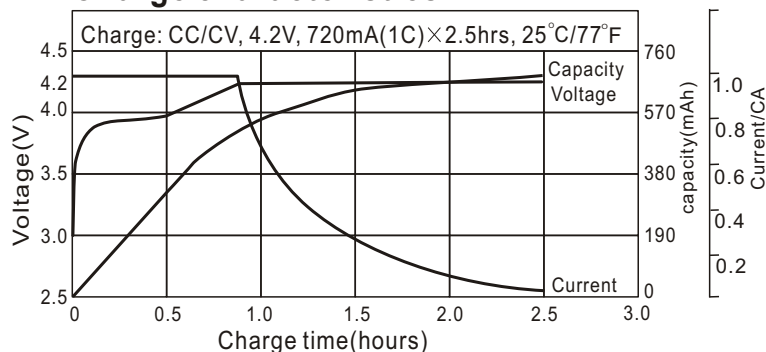
# BYD Li-ion Battery Individual Data Sheets

## LC1450

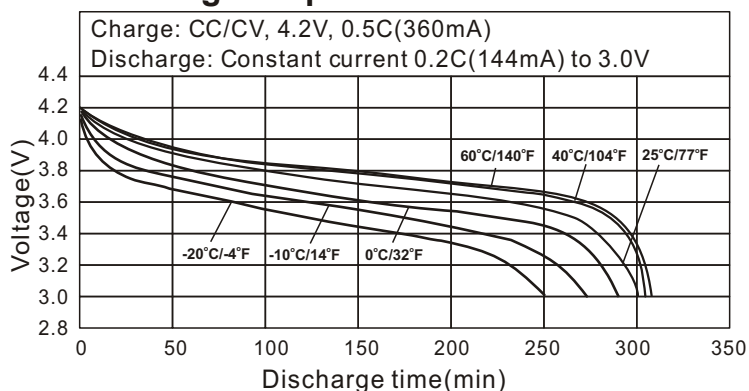
### Specifications

Nominal Voltage		3.7V	
Capacity <sup>1</sup> (mAh)	0.2C Discharge		
	Minimum	650mAh <sup>2</sup>	
	Typical <sup>3</sup>	720mAh	
Dimen- Sions	Diameter	mm	inch
		14.3 <sup>0</sup> <sub>-0.3</sub>	0.563 <sup>0</sup> <sub>-0.012</sub>
	Height	49.8 <sup>0</sup> <sub>-0.5</sub>	1.961 <sup>0</sup> <sub>-0.020</sub>
Weight <sup>*</sup>	Grams	Ounces	
	19	0.67	
Internal impedance <sup>*</sup> at 1000Hz		<140 mΩ (After charge)	
Charge	Standard	360mA(0.5C)×5hrs	
	Rapid	720mA(1C)×2.5hrs	
Ambient temperature	Charge	°C	°F
		0°C to 45°C	32°F to 113°F
	Discharge	-20°C to 60°C -4°F to 140°F	
	Storage	-20°C to 45°C -4°F to 113°F	

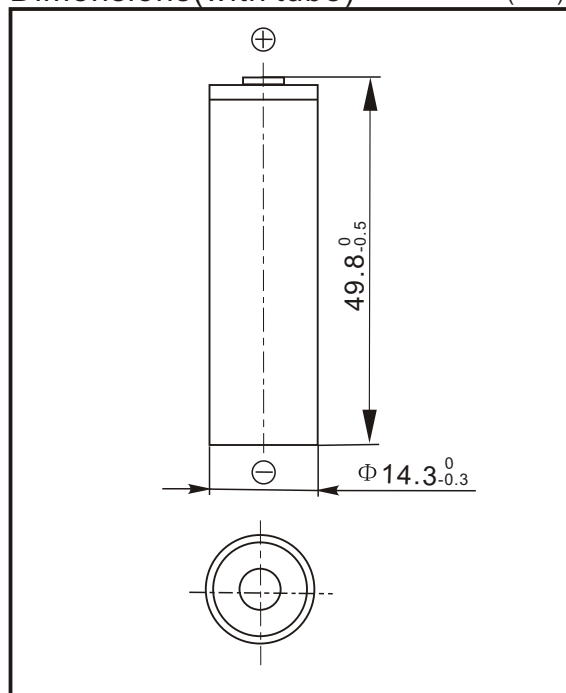
### Charge characteristics



### Discharge temperature characteristics



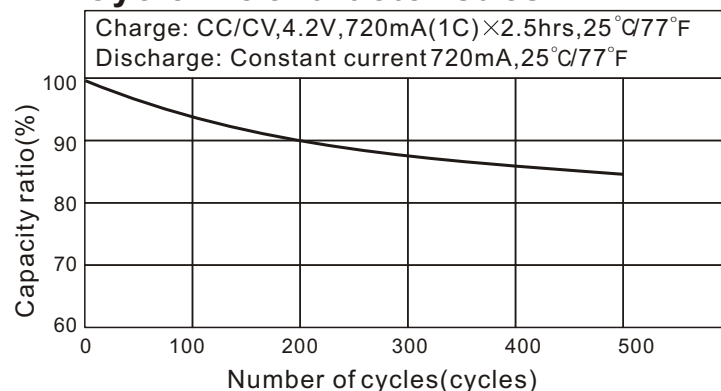
### Dimensions(with tube) (mm)



Note:

1. After charging at 1C for 2.5 hours.
  2. Nominal capacity, rated at 0.2C, 25°C/77°F.
  3. Average capacity. For reference only.
- \*. Weight and internal impedance are for reference.

### Cycle life characteristics



### Storage characteristic

