

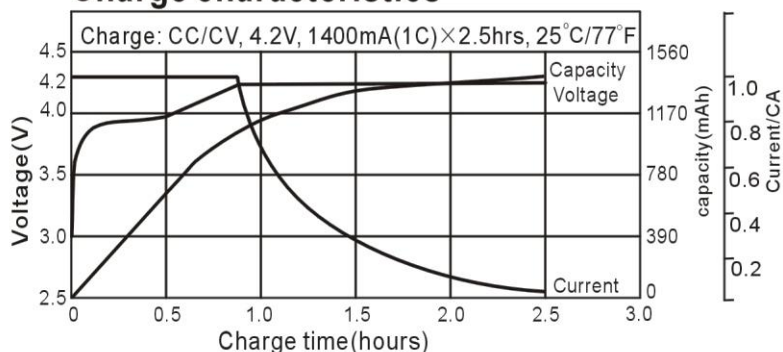
# BYD Li-ion Battery Individual Data Sheets

## LC1767

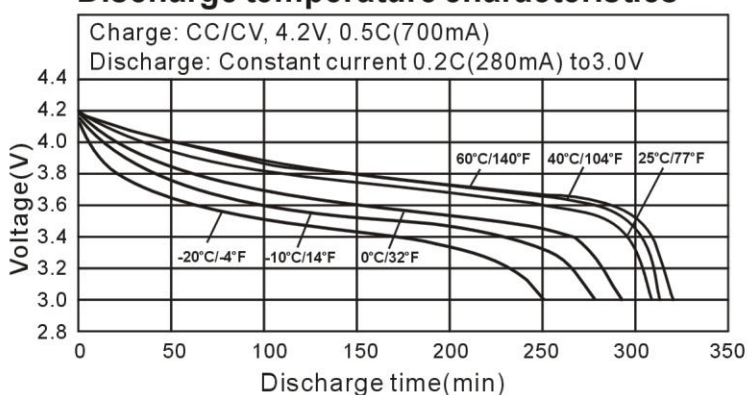
### Specifications

Nominal Voltage		3.7V	
Capacity <sup>1</sup> (mAh)	0.2C Discharge		
	Minimum	1300mAh <sup>2</sup>	
	Typical <sup>3</sup>	1400mAh	
Dimen- Sions		mm	inch
	Diameter	16.8 <sup>0</sup> <sub>-0.3</sub>	0.661 <sup>0</sup> <sub>-0.012</sub>
	Height	66.8 <sup>0</sup> <sub>-0.5</sub>	2.630 <sup>0</sup> <sub>-0.020</sub>
Weight *		Grams	Ounces
		35.5	1.30
Internal impedance* at 1000Hz		<90 mΩ (After charge)	
Charge	Standard	700mA(0.5C)×5hrs	
	Rapid	1400mA(1C)×2.5hrs	
Ambient temperature		°C	°F
	Charge	0°C to 45°C	32°F to 113°F
	Discharge	-20°C to 60°C	-4°F to 140°F
	Storage	-20°C to 45°C	-4°F to 113°F

### Charge characteristics

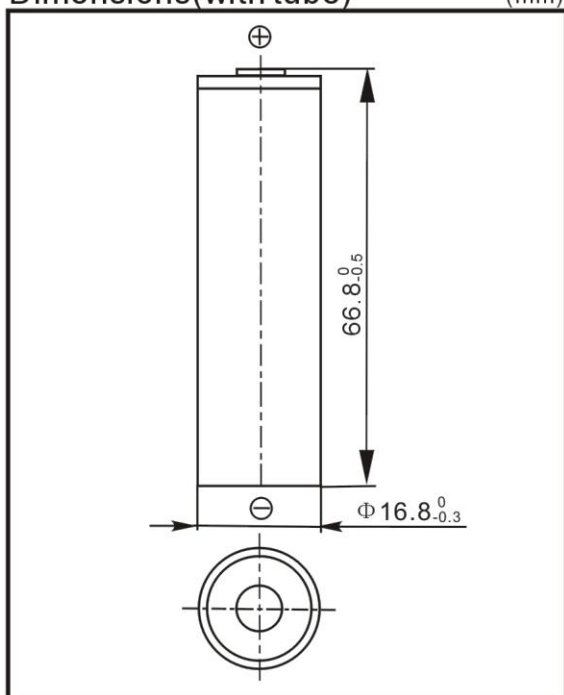


### Discharge temperature characteristics



### Dimensions(with tube)

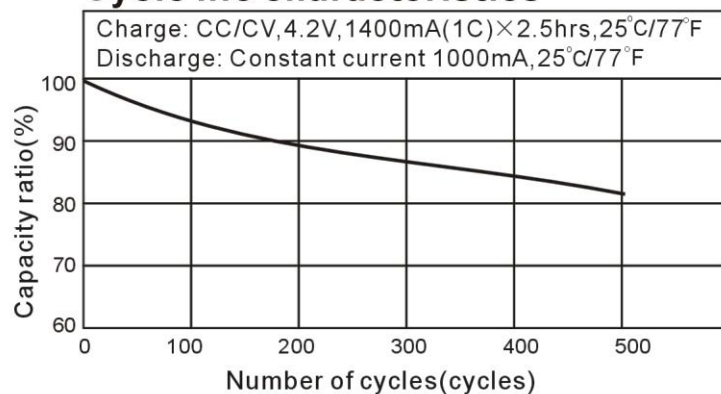
(mm)



#### Note:

1. After charging at 1C for 2.5 hours.
  2. Nominal capacity, rated at 0.2C, 25°C/77°F.
  3. Average capacity. For reference only.
- \*. Weight and internal impedance are for reference.

### Cycle life characteristics



### Storage characteristic

