

BYD Li-ion Battery Individual Data Sheets

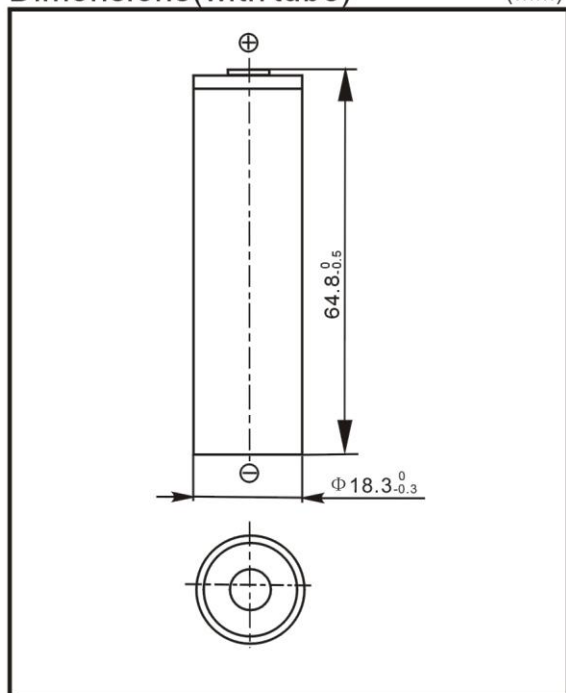
LC1865

Specifications

Nominal Voltage		3.7V	
Capacity ¹ (mAh)		0.2C Discharge	
	Minimum	1800mAh ²	
	Typical ³	2000mAh	
Dimen- Sions		mm	inch
	Diameter	18.3 ⁰ _{-0.3}	0.720 ⁰ _{-0.012}
	Height	64.8 ⁰ _{-0.5}	2.551 ⁰ _{-0.020}
Weight *		Grams	Ounces
		45.5	1.60
Internal impedance* at 1000Hz		< 80 mΩ (After charge)	
Charge	Standard	1000mA(0.5C)×5hrs	
	Rapid	2000mA(1C)×2.5hrs	
Ambient temperature		°C	°F
	Charge	0°C to 45°C	32°F to 113°F
	Discharge	-20°C to 60°C	-4°F to 140°F
	Storage	-20°C to 45°C	-4°F to 113°F

Dimensions(with tube)

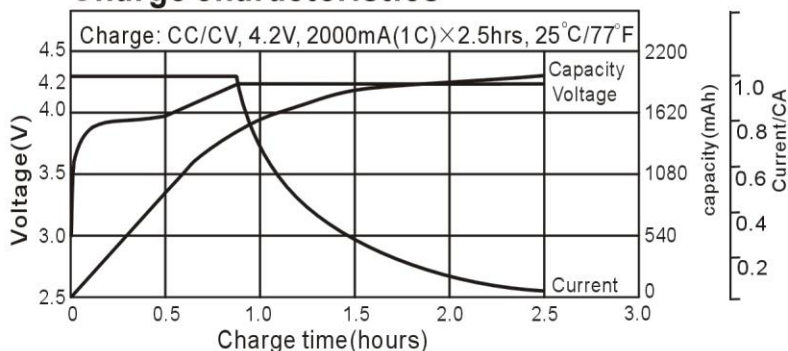
(mm)



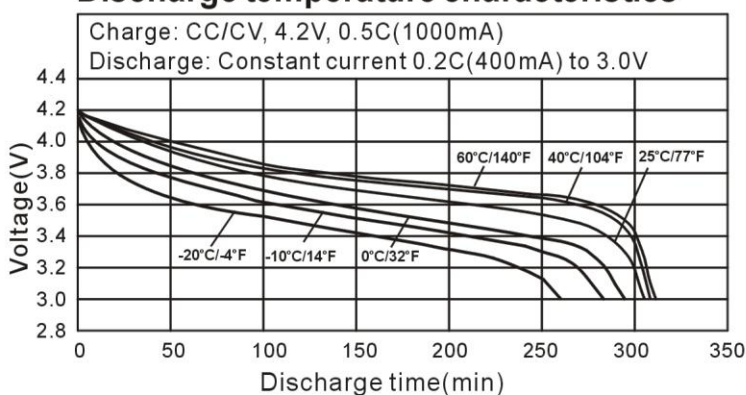
Note:

1. After charging at 1C for 2.5 hours.
 2. Nominal capacity, rated at 0.2C, 25°C/77°F.
 3. Average capacity. For reference only.
- *. Weight and internal impedance are for reference.

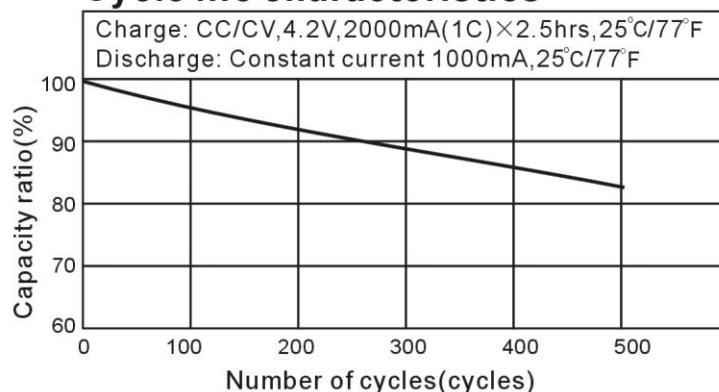
Charge characteristics



Discharge temperature characteristics



Cycle life characteristics



Storage characteristic

