

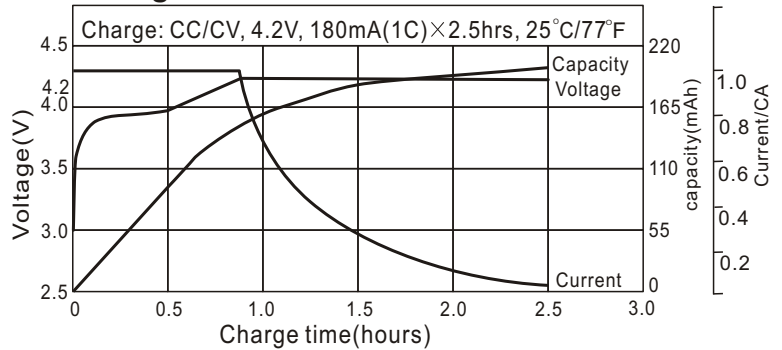
BYD Li-ion Battery Individual Data Sheets

LP032035A

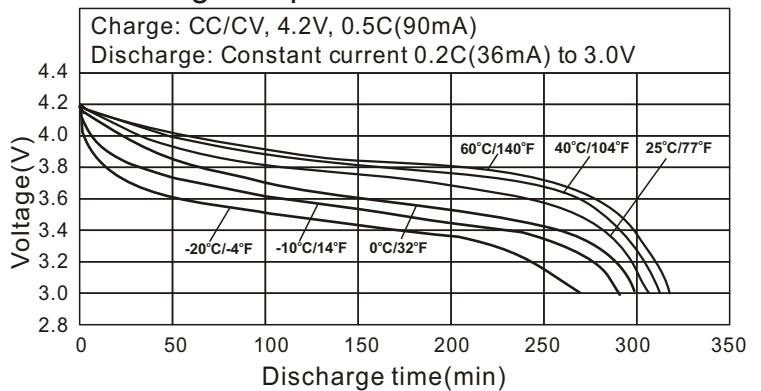
Specifications

Nominal Voltage		3.7V	
Capacity ¹ (mAh)		0.2C Discharge	
	Minimum	150mAh ²	
	Typical ³	180mAh	
Dimen- Sions	Thickness	mm	inch
		3.9 ⁰ _{-0.4}	0.154 ⁰ _{-0.016}
		Width	20.0 ⁰ _{-0.5}
	Height	35.0 ⁰ _{-0.6}	1.378 ⁰ _{-0.024}
Weight *		Grams	Ounces
		6.0	0.21
Internal impedance* at 1000Hz		< 150 mΩ (After charge)	
Charge	Standard	90mA(0.5C)×5hrs	
	Rapid	180mA(1C)×2.5hrs	
Ambient temperature	Charge	°C	°F
		0°C to 45°C	32°F to 113°F
	Discharge	-20°C to 60°C	-4°F to 140°F
	Storage	-20°C to 45°C	-4°F to 113°F

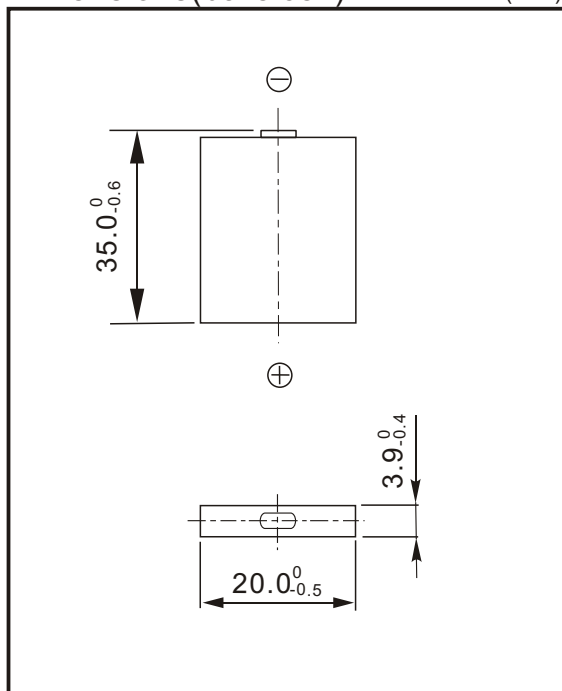
Charge characteristics



Discharge temperature characteristics



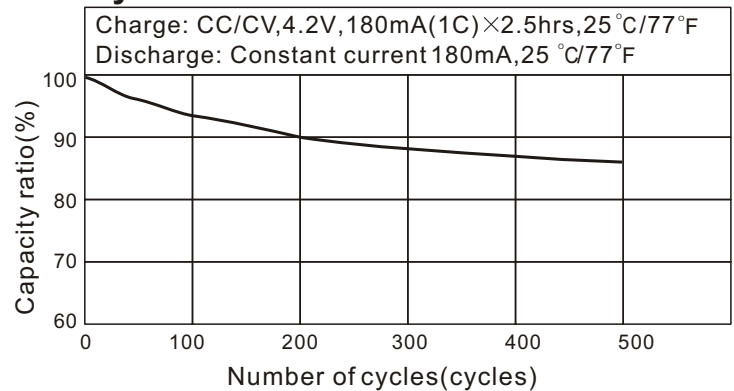
Dimensions(bare cell) (mm)



Note:

1. After charging at 1C for 2.5 hours.
 2. Nominal capacity, rated at 0.2C, 25°C/77°F.
 3. Average capacity. For reference only.
- *. Weight and internal impedance are for reference.

Cycle life characteristics



Storage characteristic

