

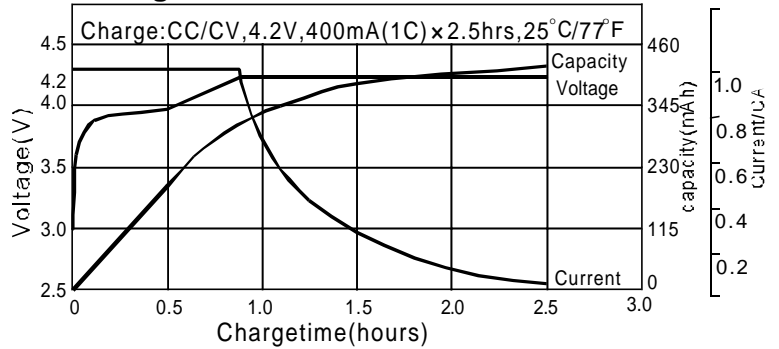
# BYD Li-ion Battery Individual Data Sheets

## LP033048A

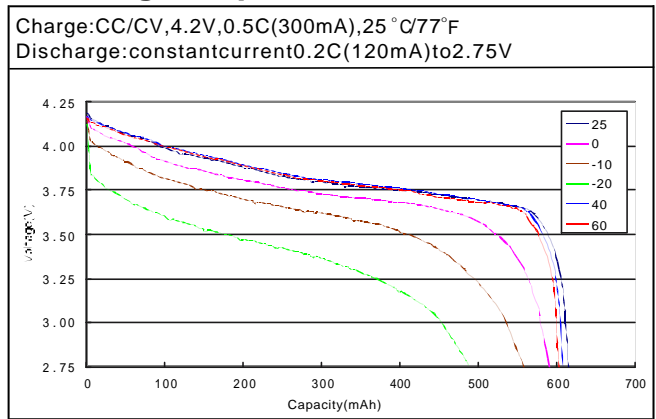
### Specifications

|                                  |                      |                                   |                                      |
|----------------------------------|----------------------|-----------------------------------|--------------------------------------|
| Nominal Voltage                  |                      | 3.7V                              |                                      |
| Capacity <sup>1</sup><br>(mAh)   | 0.2C Discharge       |                                   |                                      |
|                                  | Minimum              | 350mAh <sup>2</sup>               |                                      |
|                                  | Typical <sup>3</sup> | 400mAh                            |                                      |
| Dimen-<br>Sions                  | Thickness            | mm                                | inch                                 |
|                                  |                      | 3.9 <sup>0</sup> <sub>-0.5</sub>  | 0.15 <sup>0</sup> <sub>-0.020</sub>  |
|                                  |                      | Width                             | 29.8 <sup>0</sup> <sub>-0.5</sub>    |
|                                  | Height               | 48.0 <sup>0</sup> <sub>-0.6</sub> | 1.890 <sup>0</sup> <sub>-0.024</sub> |
| Weight *                         |                      | Grams                             | Ounces                               |
|                                  |                      | 12.0                              | 0.42                                 |
| Internal impedance*<br>at 1000Hz |                      | < 80 mΩ<br>(After charge)         |                                      |
| Charge                           | Standard             | 200mA(0.5C) × 5hrs                |                                      |
|                                  | Rapid                | 400mA(1C) × 2.5hrs                |                                      |
| Ambient<br>temperature           | Charge               | °C                                | °F                                   |
|                                  |                      | 0°C to 45°C                       | 32°F to 113°F                        |
|                                  | Discharge            | -20°C to 60°C -4°F to 140°F       |                                      |
|                                  | Storage              | -20°C to 45°C -4°F to 113°F       |                                      |

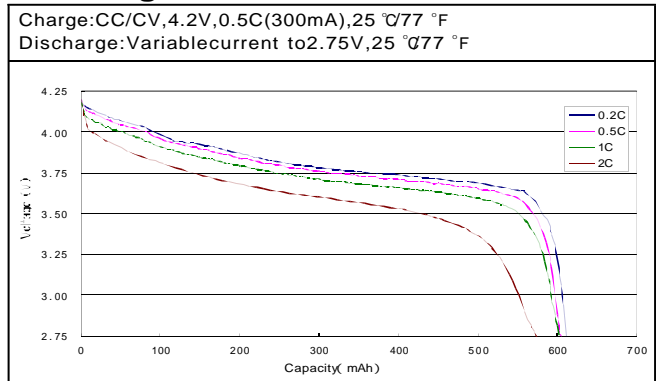
### Charge characteristics



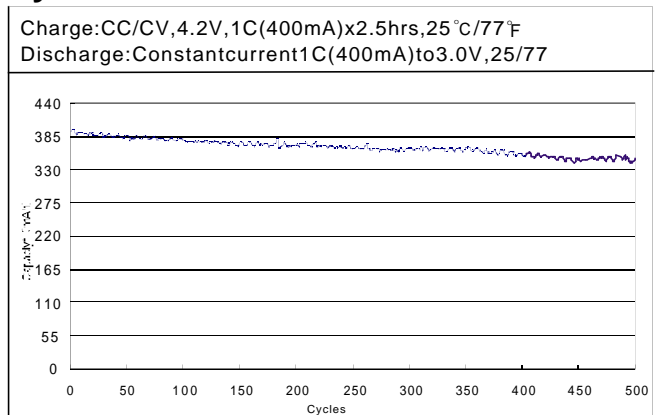
### Discharge temperature characteristics



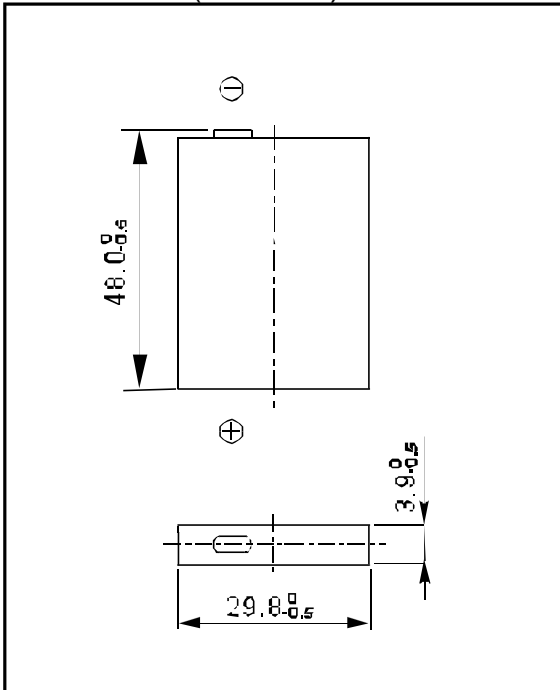
### Discharge rate characteristics



### Cycle life characteristics



### Dimensions (bare cell) (mm)



#### Note:

1. After charging at 1C for 2.5 hours.
  2. Nominal capacity, rated at 0.2C, 25°C/77°F.
  3. Average capacity. For reference only.
- \*. Weight and internal impedance are for reference.