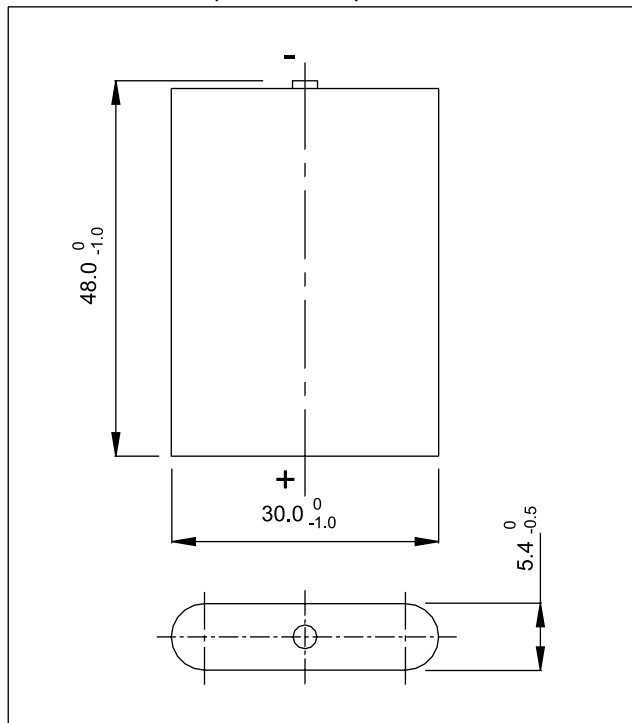


Type : LP053048AR

Specifications

Nominal voltage		3.6V	
Capacity (mAh)	0.2C Discharge		
	Minimum	500mAh ²	
	Typical ³	530mAh	
Dimensions		mm	inch
	Thickness	5.4 ⁰ _{-0.5}	0.213 ⁰ _{-0.020}
	Width	30.0 ⁰ _{-1.0}	1.181 ⁰ _{-0.039}
	Height	48.0 ⁰ _{-1.0}	1.890 ⁰ _{-0.039}
Weight*		Grams	Ounces
		17g	0.60
Internal impedance* at 1000Hz.		<100m (After charge)	
Charge	Standard	265mA(0.5C) X 5hrs	
	Rapid	530mA(1C) X 2.5hrs	
Ambient temperature		C	F
	Charge	0°C to 45°C	32°F to 113°F
	Discharge	-20°C to 60°C	-4°F to 140°F
	Storage	-20°C to 45°C	-4°F to 113°F

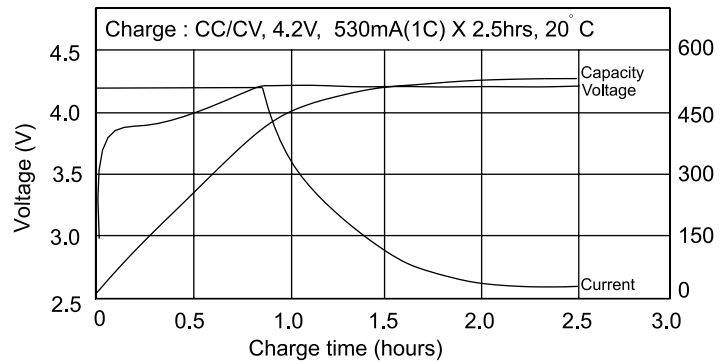
Dimensions (bare cell) (mm)



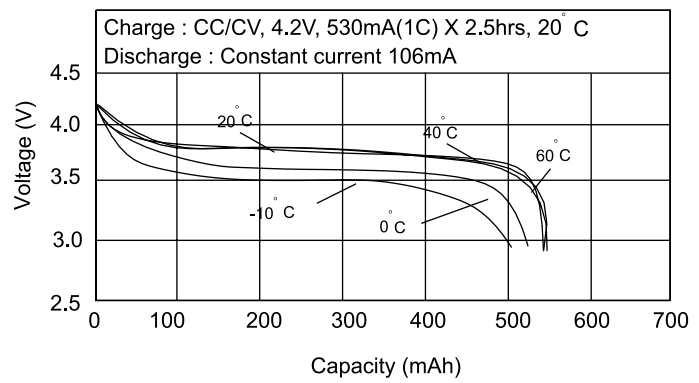
Note:

1. After charging at 0.5C for 5 hours.
 2. Nominal capacity, rated at 0.2C, 20°C.
 3. Average capacity. For reference only.
- *. Weight and internal impedance are for reference.

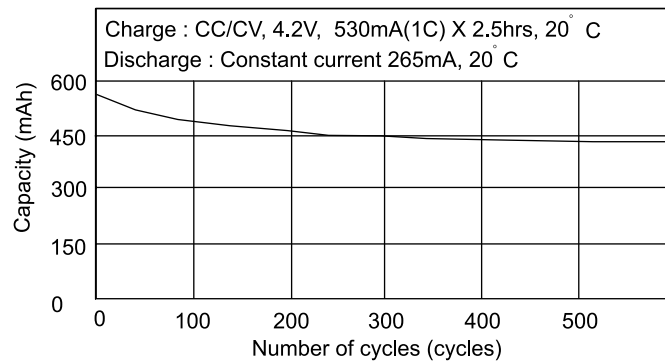
Charge characteristics



Discharge characteristics



Cycle life characteristics



Storage characteristic

