

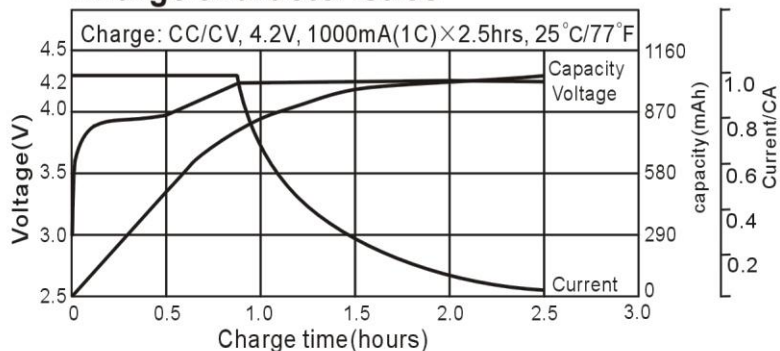
BYD Li-ion Battery Individual Data Sheets

LP083447AR

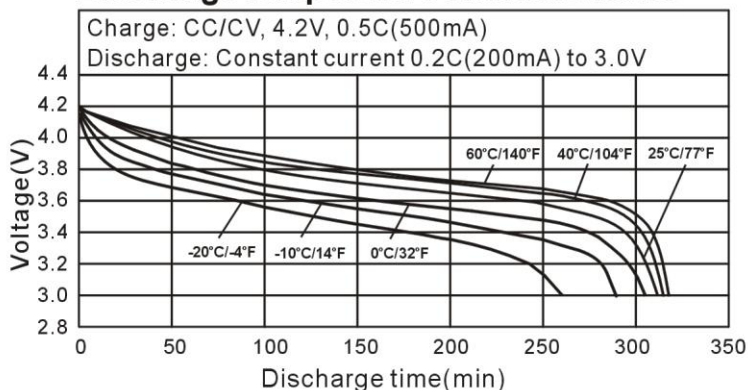
Specifications

Nominal Voltage		3.7V	
Capacity ¹ (mAh)	0.2C Discharge		
	Minimum	900mAh ²	
	Typical ³	1000mAh	
Dimen- Sions	Thickness	mm	inch
		7.9 ^{0.0.5}	0.311 ^{0.0.020}
		Width	33.8 ^{0.0.5}
	Height	47.0 ^{0.0.6}	1.850 ^{0.0.024}
Weight [*]		Grams	Ounces
		25	0.90
Internal impedance [*] at 1000Hz		<70 mΩ (After charge)	
Charge	Standard	500mA(0.5C)×5hrs	
	Rapid	1000mA(1C)×2.5hrs	
Ambient temperature	Charge	°C	°F
		0°C to 45°C	32°F to 113°F
	Discharge	-20°C to 60°C	-4°F to 140°F
	Storage	-20°C to 45°C	-4°F to 113°F

Charge characteristics

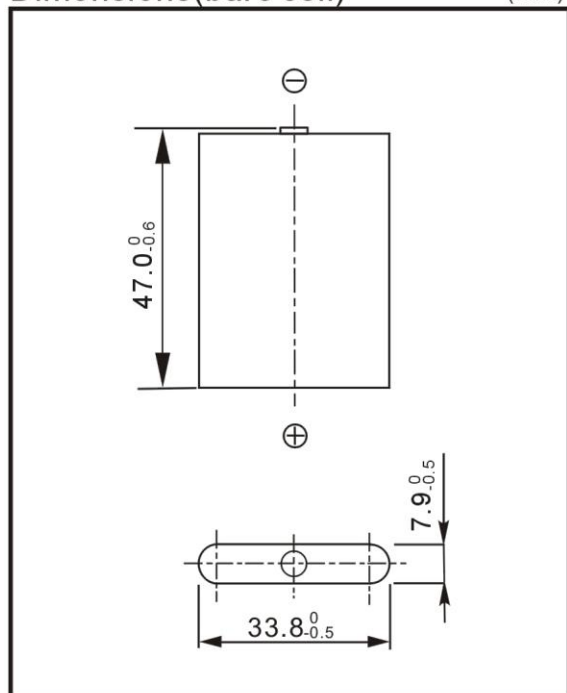


Discharge temperature characteristics

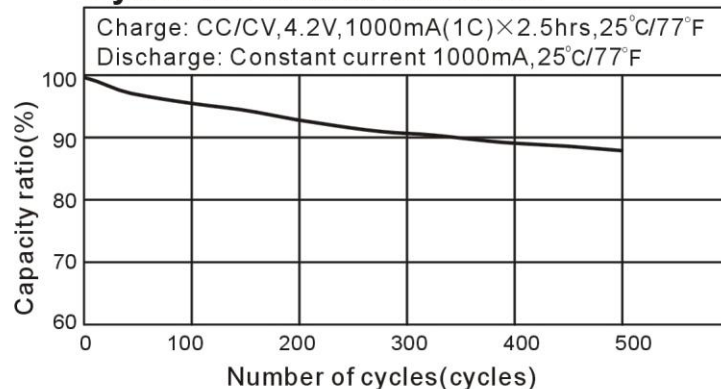


Dimensions(bare cell)

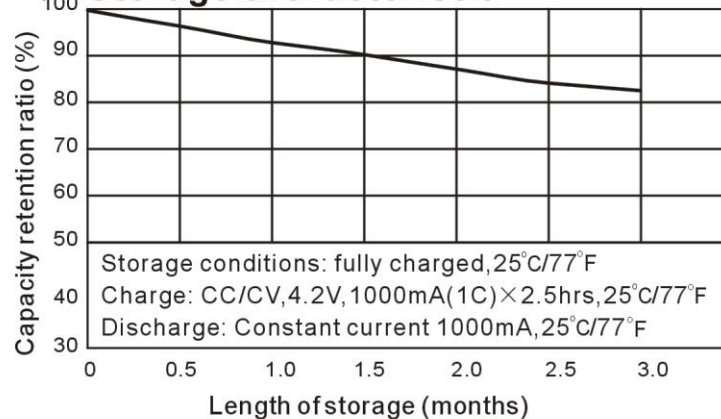
(mm)



Cycle life characteristics



Storage characteristic



Note:

1. After charging at 1C for 2.5 hours.
 2. Nominal capacity, rated at 0.2C, 25°C/77°F.
 3. Average capacity. For reference only.
- *. Weight and internal impedance are for reference.